

Project:	
Type:	
Catalog #:	



Key Features

- Robust unibody arc-shaped design.
- High output lumen efficiency, up to 140lm/W.
- Resistant to Vibration.
- Daylight sensor, built-in emergency module, 0-10v dimmable and DC input for optional.
- IP66, IK08 and 20KV surge protection.
- Type I asymmetrical optical controls provide professional light distribution.
- Lowest cost of installation. Fit ϕ 32, 34, 40, 44mm spigot mount installation.

Applications

- Conveyor
- Walkway
- Parking lot
- Other area lighting applications

Electrical Information

Model No.	LIL-D	LIL-EM	LIL-PC
Power Consumption(\pm 5%)	70W		
Power Supply	INVENTRONICS		
Input Voltage	AC100-277V		
Power Factor	>0.90		
Surge Protection	20KV		
Driver Type	Constant Current (CC)		
Control	1-10V Dimming Control	Emergency function	Photocell control

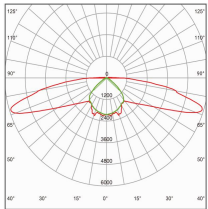
Lifespan and Warranty

Operating Temperature	-30°C to + 50°C	0°C to + 40°C	-30°C to + 50°C
	70,000hrs-L90		
Life Time of LED @Ta=25°C	152,000hrs-L80		
	244,000hrs-L70		
Warranty	5 Years		

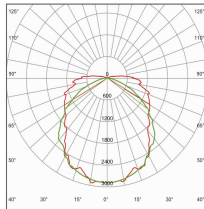
Optic Information

LED Type	LED 3030
Luminous Flux (\pm 10%)	9800lm
Efficacy(5000K Ra70)	140LM/W
Correlated Color Temperature	5000K (4000K optional)
Color Rendering Index	Ra70 (Ra80 optional)
Beam Angle	R01206, T00C02
UGR level	N/A

Photometry



T1



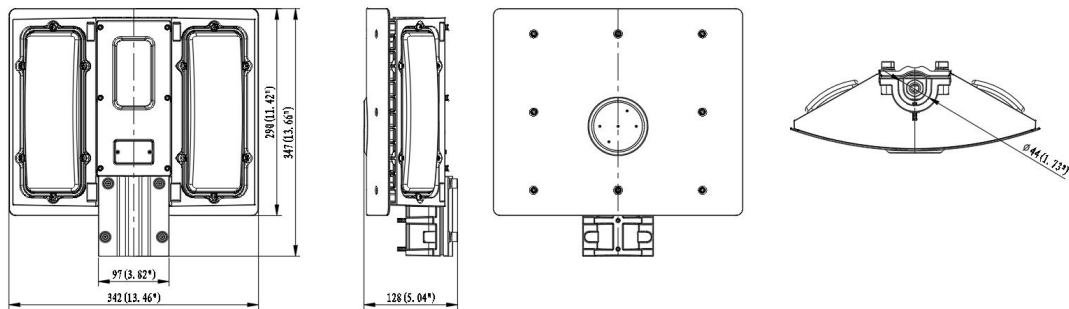
T4

Ordering Guide

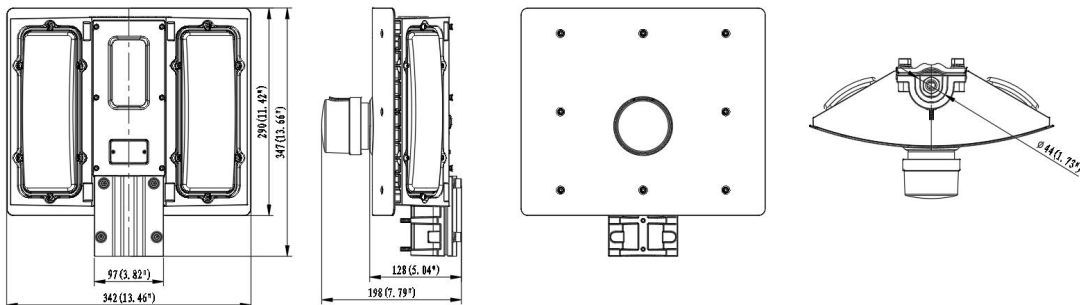
MODEL	WATTAGE	VOLTAGE	CCT	DISTRIBUTION	OPTIONS
LIL = Conveyor LED Light	7 70W	LV 100-277V	4K 4000K	T1 Type I	D 1-10V Dimming
			5K 5000K	T4 Type IV	EM Emergency
					PC Photocell

Dimensions and Mounting

Product Dimension	347x342x128mm	347x342x198mm	
Luminaire Net Weight	6.02±0.3kg	6.20±0.3kg	6.41±0.3kg
Export Carton Size	455×415×240mm		
Gross Weight	7.40±0.3kg	7.58±0.3kg	7.79±0.3kg
Mounting Option	Pole Mounting (φ32mm/34mm/40mm/44mm)		
Material	Aluminum Alloy		
	Tempered Glass and Polycarbonate Optical Lens		
Finish	Powder Coating		
Fixture Color	Black		
EPA	1.21ft ²		
IK Rating	IK08		
IP Rating	IP66		



70W



70W with photocell

Mounting Options

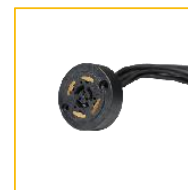


Pole mounting

Accessories



Photocell control
ON-OFF automatically according to day light.
CON-PC



NEMA socket*
3pin/ 5pin /7pin are optional.



Shorting cap*

*Order separately. Consult Factory